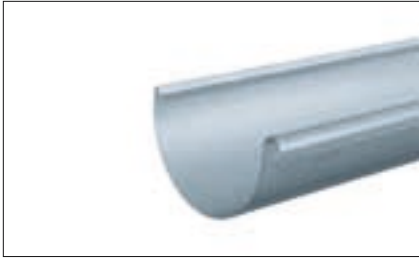


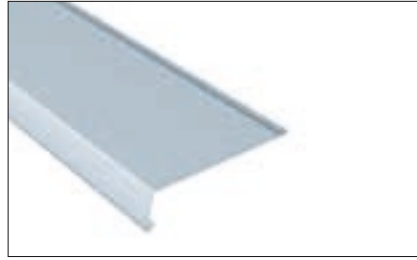


ROOF DRAINAGE SYSTEM

Gutters, Downpipes and Accessories



Halfround Gutter
3 m length



Eaves Profile
with drip flashing



Expansion Element
with rubber expansion element



Halfround Stopend
left and right



Snap-Lock Bracket System
Fixing Rail and Snap-Lock Bracket



Gutter Bracket
for on-roof installation



Plug-In Outlet
machine welded



Hopper Head
square, round outlet



Round Downpipe
high-frequency welded, 3 m



Universal Downpipe Bracket and Bolt
with concealed fixing and lightning
conductor clip



Downpipe Bracket
(suitable bolts available)



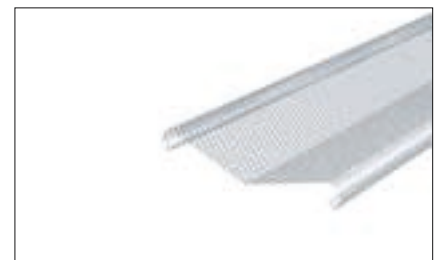
Pipe Bend
60° and 72°



Offset
60 mm from centreline



Cover Sleeve
Connection to underground drainage



Leaf Guard
for halfround gutter



Halfround Corner
internal and external, 90°,
deep-drawn from one piece



Fascia Bracket



Pipe Socket



Water Diverter
with leaf trap



Gutter Installation Instructions
for Soldering and Bonding technique

**RHEINZINK – The trademark
for quality in roof drainage**

RHEINZINK-Design Drainage System offers a high quality of design, to suit all application options. They include aesthetic downpipes, gutters and the associated accessories. In the finishes of RHEINZINK-prePATINA blue-grey and RHEINZINK-prePATINA graphite-grey, all prefabricated parts and special designs are made of the same high-quality material. The formation of a natural patina ensures that RHEINZINK-Design Drainage Systems will fulfil their function for decades.

All products are made of the natural material RHEINZINK. They satisfy even the most stringent quality criteria and are subject to voluntary inspection by the German TÜV according to the QUALITY ZINC Criteria Catalogue. They also offer an exemplary life cycle assessment: RHEINZINK can be recycled 100%. Following comprehensive evaluation of its entire life cycle it has been declared as an environmentally friendly building

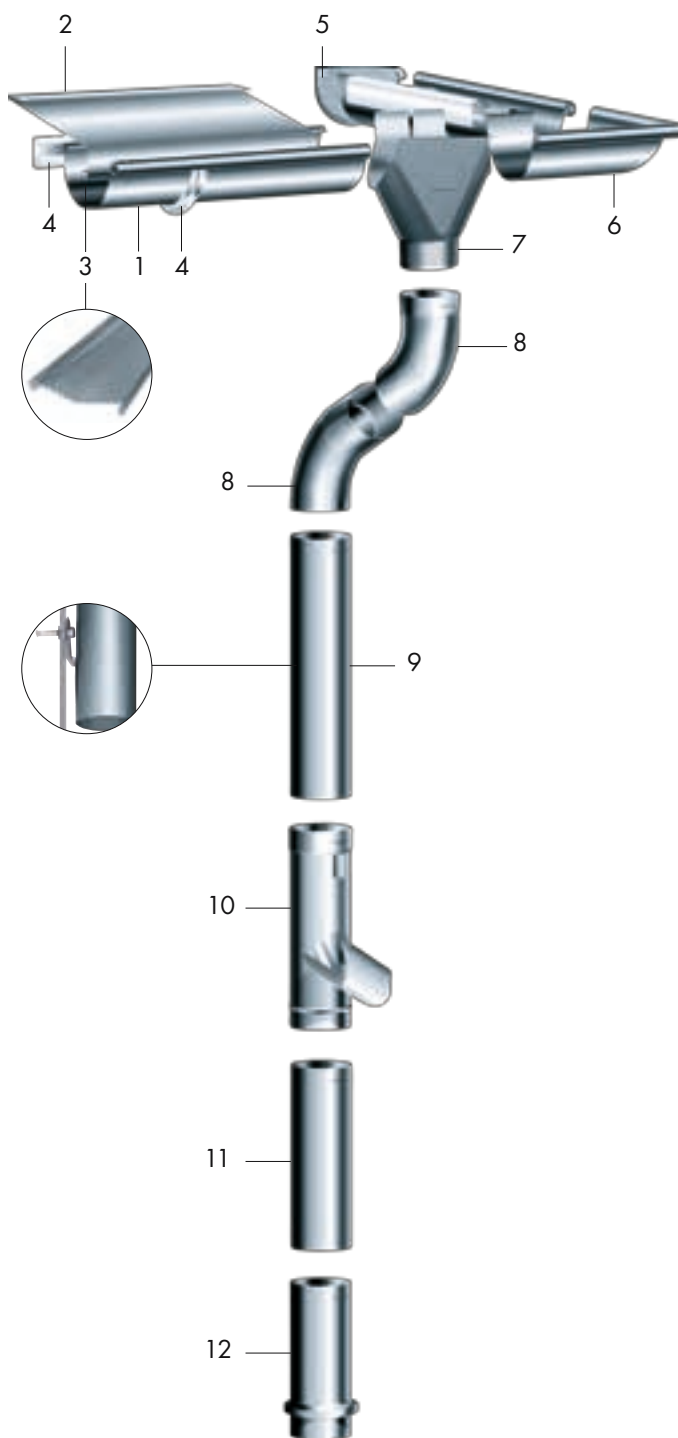


product according to DIN ISO 14025, Type III, by the IBU-Institut, a member of the Environmental Construction products Organisation IBU and is certified by BREEAM.

Quality Characteristics

A decision in favour of RHEINZINK is always a decision in favour of quality. As an unmistakable sign of its origin, each RHEINZINK component comes with very specific identification, which is stamped onto the product. The mark endorses the RHEINZINK quality for generations to come.





Example

- 1 Halfround Gutter
- 2 Eaves Profile
- 3 Leaf Guard
- 4 Snap-Lock Bracket System
Fixing Rail and Snap-Lock Bracket
- 5 Halfround Stopend
- 6 Halfround Corner
- 7 Plug-In Outlet
- 8 Pipe Bend
- 9 Universal Downpipe Bracket and Bolt
with concealed fixing and lightning
conductor clip
- 10 Water Diverter with leaf trap
- 11 Round Downpipe
high-frequency welded
- 12 Cover sleeve for connection to
underground drainage*

* Alternatively a Pipe Bend (Shoe)
for ground level drainage